

Japanese Decree

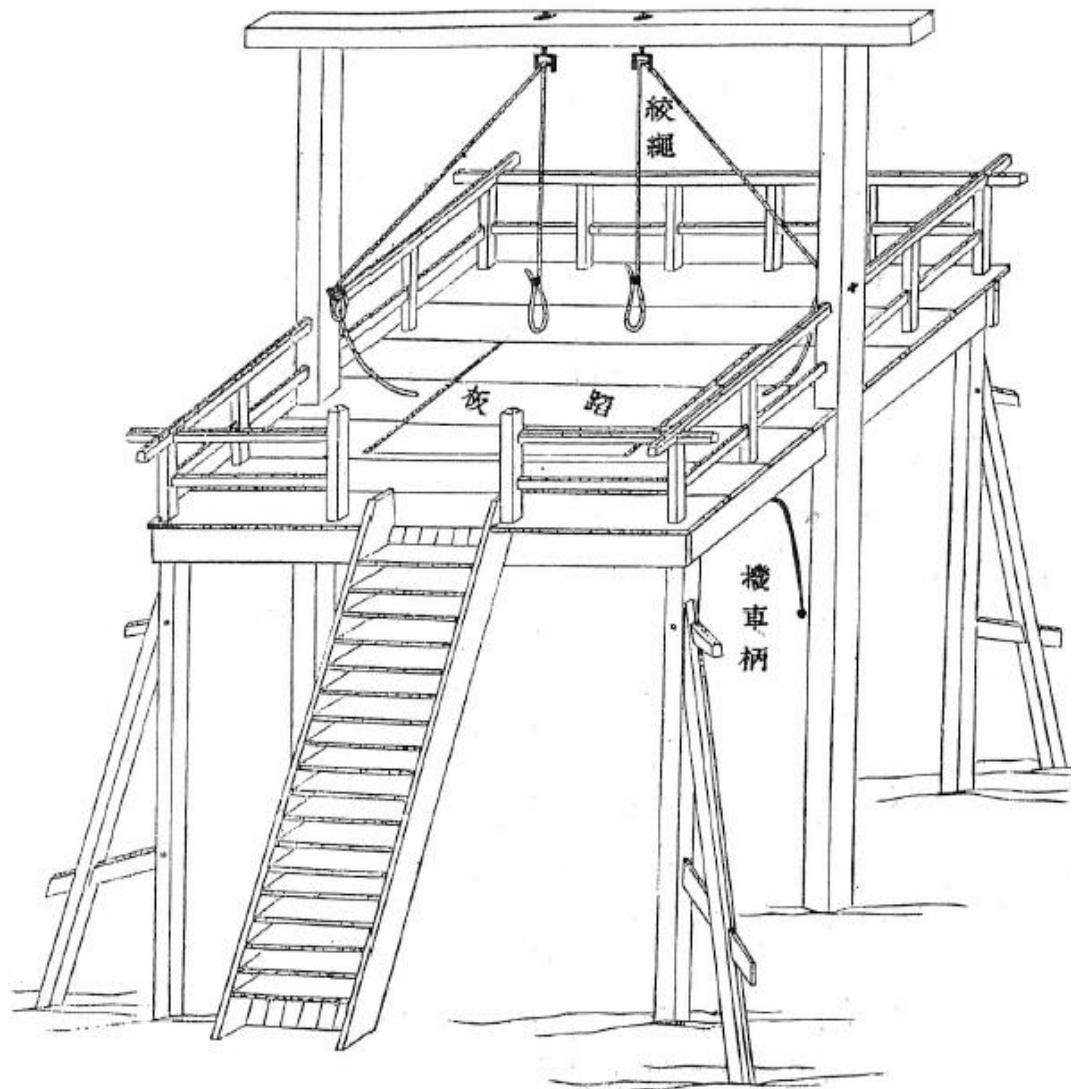
Decree No.65 of February 20, 1873, to all Prefectures in Japan

The gallows are reformed as indicated in the drawings below. They shall be constructed in each prefecture according to these drawings.

‘Scaffold Drawing, Full View’ (scale is 1:60)

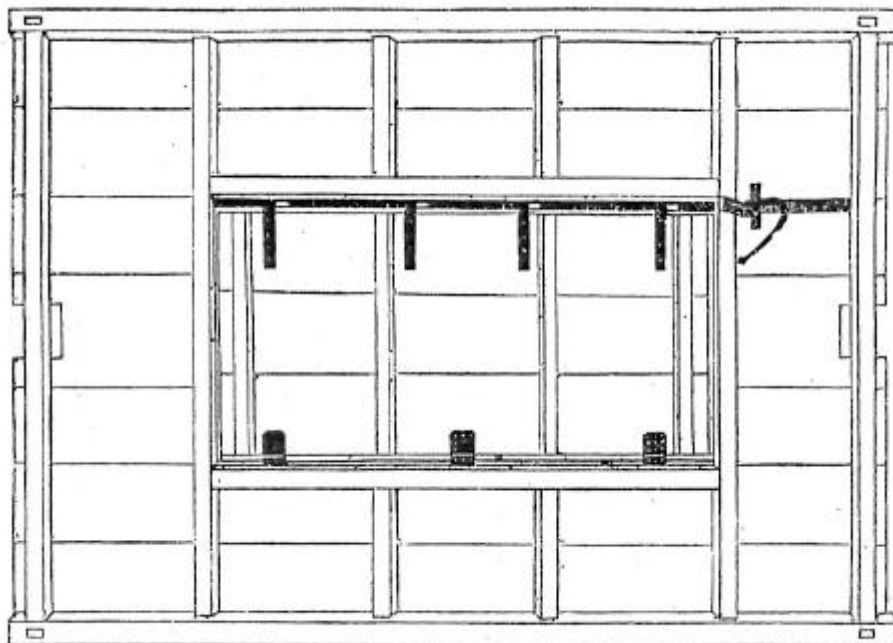
The Scaffold in this drawing is a structure for two condemned inmates to be executed by hanging simultaneously. In cases where more than two inmates are to be executed simultaneously, the scaffold shall be also constructed according to the structure outlined in this drawing. The entire scaffold shall be painted with Shibuzumi (traditional dark brown or black paint used for waterproofing in Japan).

rope
trap door
lever



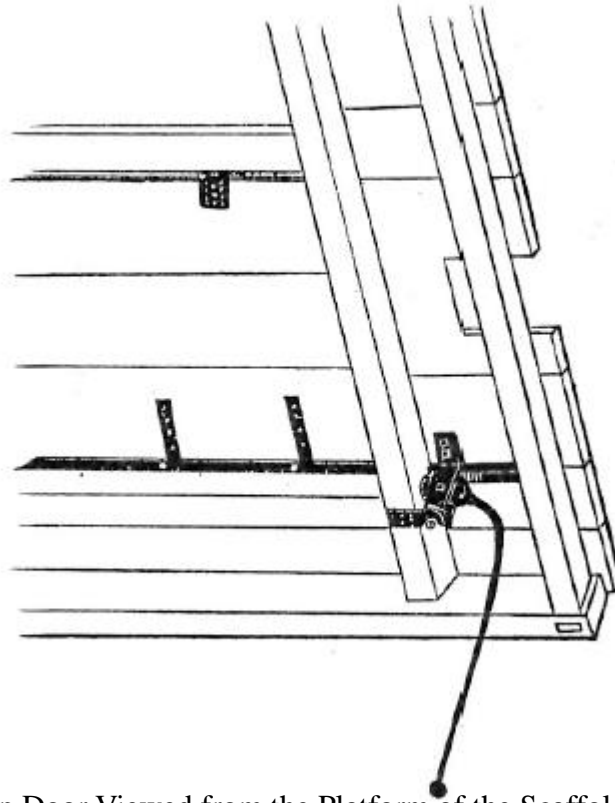
The Death penalty by hanging shall be carried out as follows. Bind the condemned inmate's wrists behind his or her back. Cover his or her eyes with a sheet of Japanese paper. Lead the inmate to the gallows. Make the inmate climb the steps to the platform of the scaffold and stand on the trap door. Apply leg restraints. Put the noose around the inmate's neck and fit it snugly around his or her throat. The iron ring through which the rope runs shall be at the base of the neck and shall be slid to draw the noose firmly. Pull the lever attached to the gear and immediately the trap door will be sprung and the inmate will fall below the platform. The inmate shall be hanged in the air about 30cm above the ground. After about 2 minutes have elapsed, the death of the person will be confirmed. The corpse shall be taken down and the noose unfastened.

'Drawing of the Trap Door Viewed from below (from ground level)' (scale is 1:30)



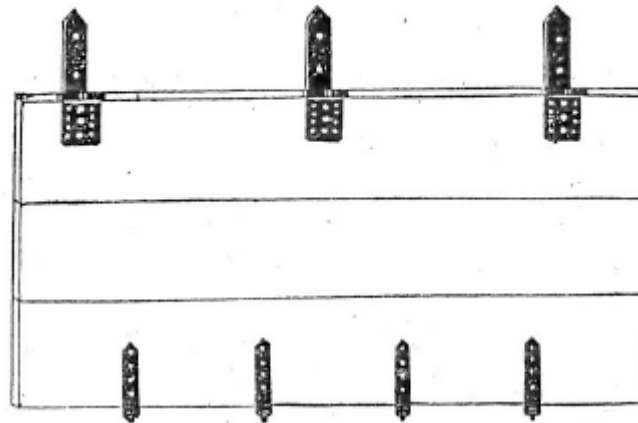
踏板裏面圖實物三十分之一

‘Drawing of the Gear Mechanism’ (scale is 1:30)



機車裝置圖實物三十分之一

‘Drawing of the Trap Door Viewed from the Platform of the Scaffold’ (scale is 1:30)



踏板表面圖實物三十分之一

‘Drawing of the Gear for the Rope’ (scale is 1:30)



機車圖實物三十分之一

機車屬鐵板圖實物三十分之一



‘Drawing of the Iron Plate attached to the Gear’ (scale is 1:30)

‘Drawing of the Hook for the Iron Plate’ (scale is 1:10)



鐵板架圖實物十分之一

‘Drawing of the Iron Ring for the Rope’ (scale is 1:10)



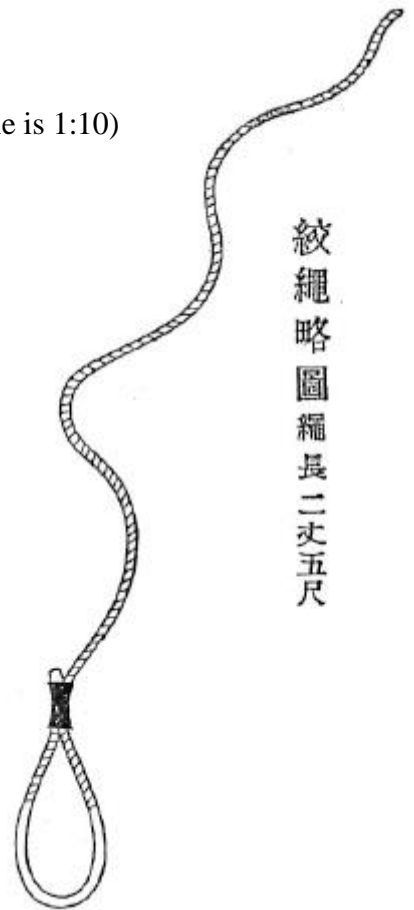
絞繩環圖實物十分之一

‘Drawing of the Screw’ (scale is 1:10)



螺旋圖實物十分之一

絞繩略圖編長二丈五尺



‘Drawing of the Rope and Noose’ 7m58cm in length

Translator’s note

The height of the scaffold was 2.7 meters.

(Yutaka Tezuka ‘Meiji Shoki Keihoushi no Kenkyu’<in Japanese>, P.258, Keiogigyukudaigaku Hougakukenkyukai, Tokyo, 1956)